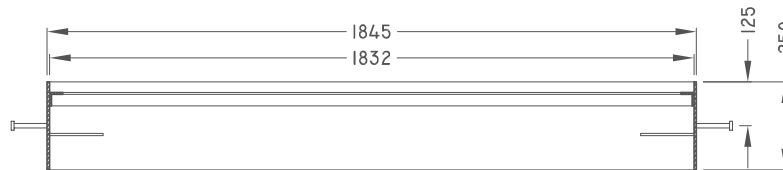
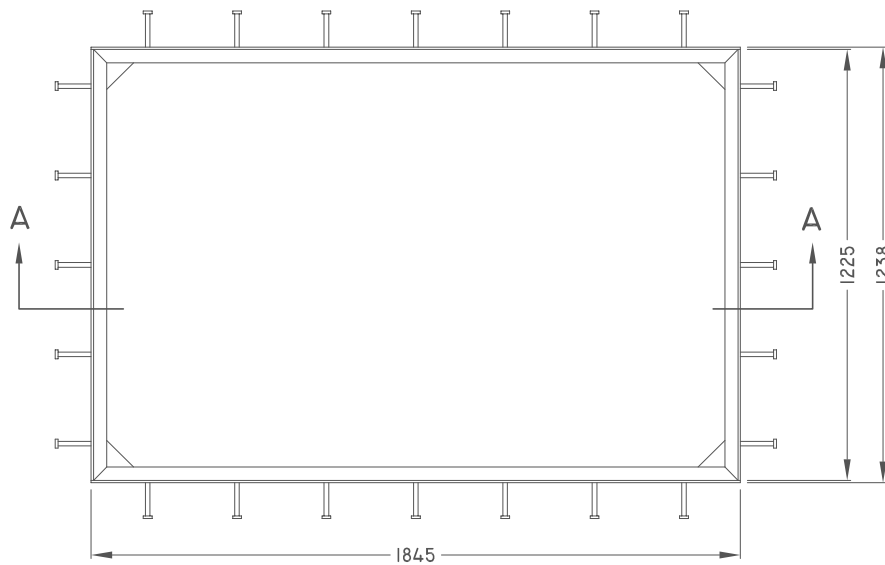
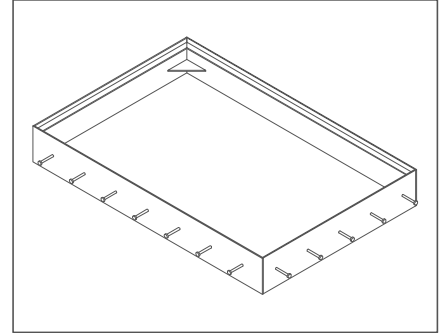




TREE WELL FRAME 250

TWF-250

PLAN



SECTION A-A

HOT DIPPED GALVANIZED AFTER ASSEMBLY

MEASUREMENTS IN MILLIMETERS

TROJAN INDUSTRIES INC.
CALGARY • EDMONTON, ALBERTA