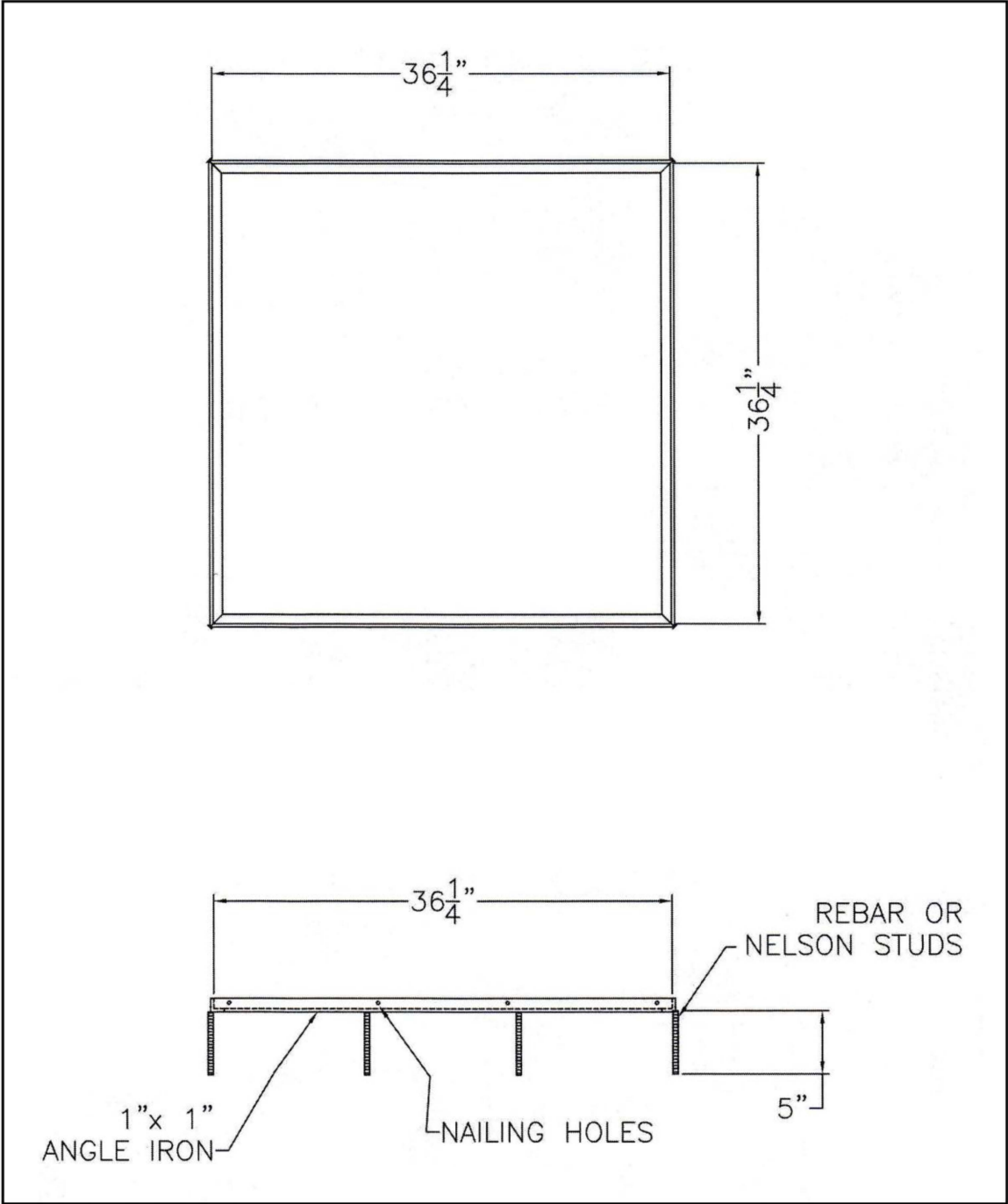




1" (25mm) ANGLE TREE FRAME

TGF - 36x36 2



**TROJAN INDUSTRIES INC.**

CALGARY • EDMONTON, ALBERTA