

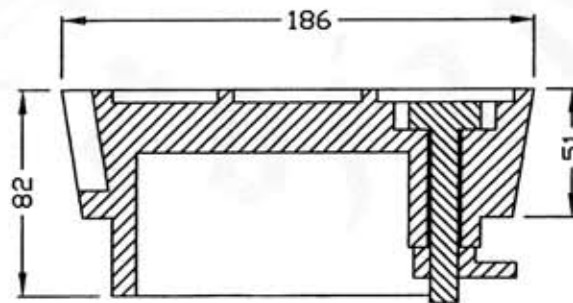
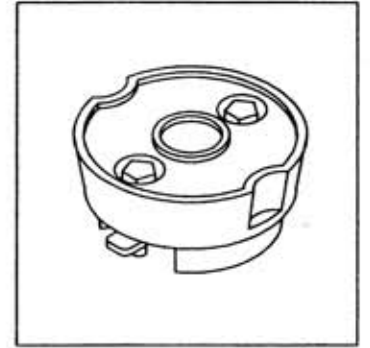
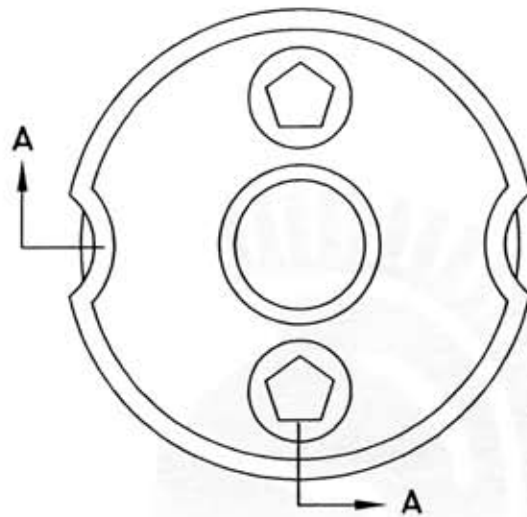


Please note that drawings are approximate and not to be used for engineering purposes – please contact us for specific dimensions.

## NELSON VALVE BOX LOCKING LID

N-VB

PLAN



SECTION A-A

**TROJAN INDUSTRIES INC.**  
CALGARY • EDMONTON, ALBERTA